

## T-Angle connector clamps

Aluminium / split assembly

### SPECIFICATION

#### Identification No.

No. **2**: with 4 Stainless Steel-Clamping screws DIN 912

Aluminium

plastic coated

black, RAL 9005, textured finish **SW**

blank

matt shot-blasted **BL**

Clamping bores not machined

Socket cap screws DIN 912

Stainless Steel AISI 304

Hexagon nuts DIN 985

Stainless Steel AISI 304



### INFORMATION

The clamping bores of the T-Angle connector clamps GN 193 are not machined and designed for construction tubes GN 990 (see page 1902) or DIN 2391, DIN 2395 and DIN 2462 respectively. The versions with square bores are also suitable for **profile systems**. Bores and square bores of the same nominal size can be assembled in any combination. For instance, nominal size 20 has the following combination options: B20-B20, B20-V20, V20-B20 and V20-V20.

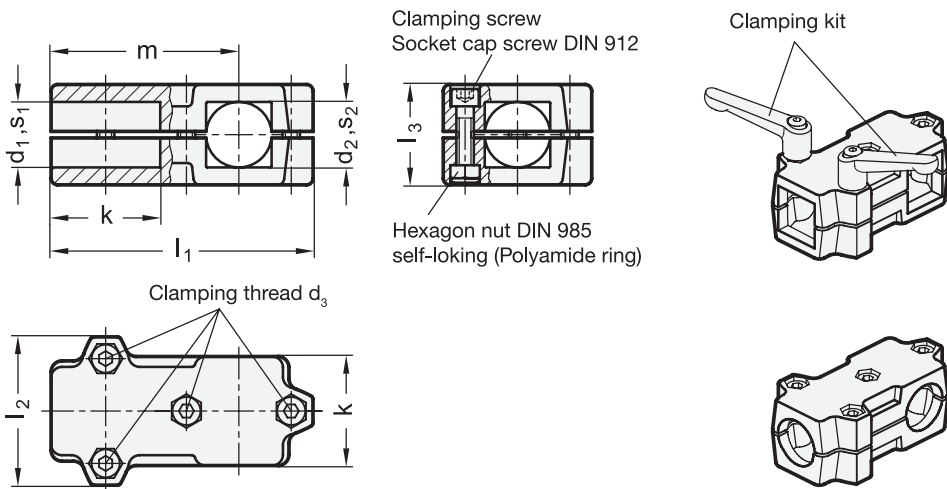
The standard version of the clamping screw is a socket cap screw with hexagonal socket DIN 912. It can be replaced by a clamping kit GN 911 (see page 1874) (article code see table of dimensions).

### ACCESSORY

- Clamping kit GN 911 (see page 1874)

### TECHNICAL INFORMATION

- Stainless Steel characteristics (see page A26)





Tube Clamp Connectors 16

\* Complete with colour index of the T-angle connector clamps (SW or BL)

**SW**      **BL**  
RAL9005      blank

GN 193

Description	d1	s1	d2	s2	k	d3	l1	l2	l3	m	Clamping kits for d3	⚖️
GN 193-B20-B20-50-2-*	B 20	-	B 20	-	50	M 8	120	68	46	85	GN 911-M8-40	446
GN 193-B25-B25-50-2-*	B 25	-	B 25	-	50	M 8	120	68	46	85	GN 911-M8-40	436
GN 193-B30-B30-50-2-*	B 30	-	B 30	-	50	M 8	120	68	46	85	GN 911-M8-40	422
GN 193-B30-B30-60-2-*	B 30	-	B 30	-	60	M 8	141	79	59	101.5	GN 911-M8-55	800
GN 193-B32-B32-60-2-*	B 32	-	B 32	-	60	M 8	141	79	59	101.5	GN 911-M8-55	773
GN 193-B35-B35-60-2-*	B 35	-	B 35	-	60	M 8	141	79	59	101.5	GN 911-M8-55	750
GN 193-B40-B40-60-2-*	B 40	-	B 40	-	60	M 8	141	79	59	101.5	GN 911-M8-55	720
GN 193-B40-B40-76-2-*	B 40	-	B 40	-	76	M 10	176	98	70	126	GN 911-M10-63	1198
GN 193-B42-B42-76-2-*	B 42	-	B 42	-	76	M 10	176	98	70	126	GN 911-M10-63	1188
GN 193-B45-B45-76-2-*	B 45	-	B 45	-	76	M 10	176	98	70	126	GN 911-M10-63	1164
GN 193-B48-B48-76-2-*	B 48	-	B 48	-	76	M 10	176	98	70	126	GN 911-M10-63	1134
GN 193-B50-B50-76-2-*	B 50	-	B 50	-	76	M 10	176	98	70	126	GN 911-M10-63	1104
GN 193-B20-V20-50-2-*	B 20	-	-	V 20	50	M 8	120	68	46	85	GN 911-M8-40	476
GN 193-B25-V25-50-2-*	B 25	-	-	V 25	50	M 8	120	68	46	85	GN 911-M8-40	452
GN 193-B30-V30-50-2-*	B 30	-	-	V 30	50	M 8	120	68	46	85	GN 911-M8-40	428
GN 193-B30-V30-60-2-*	B 30	-	-	V 30	60	M 8	141	79	59	101.5	GN 911-M8-55	443
GN 193-B35-V35-60-2-*	B 35	-	-	V 35	60	M 8	141	79	59	101.5	GN 911-M8-55	443
GN 193-B40-V40-60-2-*	B 40	-	-	V 40	60	M 8	141	79	59	101.5	GN 911-M8-55	443
GN 193-B40-V40-76-2-*	B 40	-	-	V 40	76	M 10	176	98	70	126	GN 911-M10-63	1133
GN 193-B45-V45-76-2-*	B 45	-	-	V 45	76	M 10	176	98	70	126	GN 911-M10-63	1118
GN 193-B50-V50-76-2-*	B 50	-	-	V 50	76	M 10	176	98	70	126	GN 911-M10-63	1086
GN 193-V20-V20-50-2-*	-	V 20	-	V 20	50	M 8	120	68	46	85	GN 911-M8-40	430
GN 193-V25-V25-50-2-*	-	V 25	-	V 25	50	M 8	120	68	46	85	GN 911-M8-40	420
GN 193-V30-V30-50-2-*	-	V 30	-	V 30	50	M 8	120	68	46	85	GN 911-M8-40	410
GN 193-V30-V30-60-2-*	-	V 30	-	V 30	60	M 8	141	79	59	101.5	GN 911-M8-55	750
GN 193-V35-V35-60-2-*	-	V 35	-	V 35	60	M 8	141	79	59	101.5	GN 911-M8-55	660
GN 193-V40-V40-60-2-*	-	V 40	-	V 40	60	M 8	141	79	59	101.5	GN 911-M8-55	660
GN 193-V40-V40-76-2-*	-	V 40	-	V 40	76	M 10	176	98	70	126	GN 911-M10-63	1158
GN 193-V45-V45-76-2-*	-	V 45	-	V 45	76	M 10	176	98	70	126	GN 911-M10-63	1104
GN 193-V50-V50-76-2-*	-	V 50	-	V 50	76	M 10	176	98	70	126	GN 911-M10-63	1054
GN 193-V20-B20-50-2-*	-	V 20	B 20	-	50	M 8	120	68	46	85	GN 911-M8-40	450
GN 193-V25-B25-50-2-*	-	V 25	B 25	-	50	M 8	120	68	46	85	GN 911-M8-40	430
GN 193-V30-B30-50-2-*	-	V 30	B 30	-	50	M 8	120	68	46	85	GN 911-M8-40	410
GN 193-V30-B30-60-2-*	-	V 30	B 30	-	60	M 8	141	79	59	101.5	GN 911-M8-55	480
GN 193-V35-B35-60-2-*	-	V 35	B 35	-	60	M 8	141	79	59	101.5	GN 911-M8-55	395
GN 193-V40-B40-60-2-*	-	V 40	B 40	-	60	M 8	141	79	59	101.5	GN 911-M8-55	395
GN 193-V40-B40-76-2-*	-	V 40	B 40	-	76	M 10	176	98	70	126	GN 911-M10-63	1150
GN 193-V45-B45-76-2-*	-	V 45	B 45	-	76	M 10	176	98	70	126	GN 911-M10-63	1110
GN 193-V50-B50-76-2-*	-	V 50	B 50	-	76	M 10	176	98	70	126	GN 911-M10-63	1070

Weight BL